

# 26" Titan Shear Beam Load Cell

Designed for Performance, Reliability and the Rigors Of Logging



Designed for performance, reliability and long life. Our shear beam load cells are second to none. This load cell was designed for the rigors of logging.

Constructed primarily for mounting under the bunks of logging trucks and trailers. Can be adapted to many body to frame applications.

## Key Features:

- Extremely durable
- Under-bunk mounting
- Nickel-plated
- Triple-redundant sealing for durability
- Bolt-on design
- Four-pin side connector
- Temperature and twist compensated
- Patented, torque canceling, double shear beam design
- Made from high strength, heat treated alloy steel
- Extremely reliable in the harshest environments
- Full twist compensation provides the highest accuracy
- Completely sealed internal electronics
- Much stronger and less flex than bending beam load cells
- All load cells have matched outputs
- Increase your profit by maximizing every load

## Titan 26" Shear Beam 8300755-15R

## Applications:

- Forestry/logging
- Bulk hauling
- Aggregate
- Agriculture

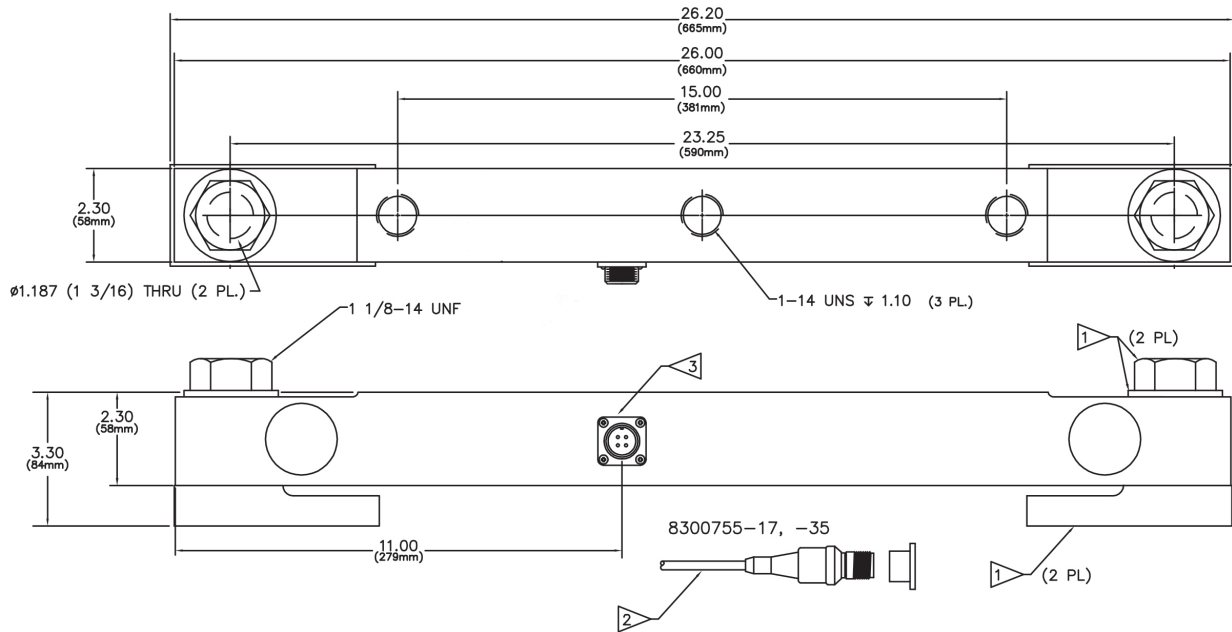
Installation Kit Sold Separately

5920 South 194th Street | Kent, WA 98032 | USA  
Sales Support: 800-638-5111 | Technical Support: 626-202-5047  
E-mail: [Obw.usa@vpgsensors.com](mailto:Obw.usa@vpgsensors.com)

[sionboard.com](http://sionboard.com)



# Titan 26" Shear Beam 8300755-15R



## Specifications

PARAMETERS	VALUE
Dynamic Capacity	50,000 lbs (22.680kg)
Output	.550 ± .010mV/V at 12,500lbs
Non-linearity, hysteresis repeatability	± 0.1% of full scale
Creep	± 0.1% of load in 20 minutes
Temperature compensated range	14° to 104°F (-10° to 40°C)
Temperature Operating Range	-40°F to 150°F (-40°C to 65°C)
Maximum excitation	15V dc or ac
Impedance	350Ω min.
Isolation resistance	500MΩ at 50V
Load cell material	Allow steel, nickel-plated
Weight	37lbs (16.8kg)

**DISCLAIMER:** ALL PRODUCTS, PRODUCT SPECIFICATIONS AND DATA ARE SUBJECT TO CHANGE WITHOUT NOTICE. Vishay Precision Group, Inc., its affiliates, agents, and employees, and all persons acting on its or their behalf (collectively, "VPG"), disclaim any and all liability for any errors, inaccuracies or incompleteness contained herein or in any other disclosure relating to any product. The product specifications do not expand or otherwise modify VPG's terms and conditions of purchase, including but not limited to, the warranty expressed therein. VPG makes no warranty, representation or guarantee other than as set forth in the terms and conditions of purchase. **To the maximum extent permitted by applicable law, VPG disclaims (i) any and all liability arising out of the application or use of any product, (ii) any and all liability, including without limitation special, consequential or incidental damages, and (iii) any and all implied warranties, including warranties of fitness for particular purpose, non-infringement and merchantability.** Information provided in datasheets and/or specifications may vary from actual results in different applications and performance may vary over time. Statements regarding the suitability of products for certain types of applications are based on VPG's knowledge of typical requirements that are often placed on VPG products. It is the customer's responsibility to validate that a particular product with the properties described in the product specification is suitable for use in a particular application. You should ensure you have the current version of the relevant information by contacting VPG prior to performing installation or use of the product, such as on our website at [vpgsensors.com](http://vpgsensors.com). No license, express, implied, or otherwise, to any intellectual property rights is granted by this document, or by any conduct of VPG. The products shown herein are not designed for use in life-saving or life-sustaining applications unless otherwise expressly indicated. Customers using or selling VPG products not expressly indicated for use in such applications do so entirely at their own risk and agree to fully indemnify VPG for any damages arising or resulting from such use or sale. Please contact authorized VPG personnel to obtain written terms and conditions regarding products designed for such applications. Product names and markings noted herein may be trademarks of their respective owners.