

# 23.5" Low Profile Axle Scale

High Accuracy and Reliability. Sealed for All Weather



Designed for use in platform weighing system installations requiring low-profile, high accuracy and reliability. Environmentally sealed for all weather environments.



**Low Profile Axle Scale 8300530-10R**

## Key Features:

- Made from high strength, heat treated alloy steel
  - Low-height platform
  - Bolt-on cell
  - 7-pin bulkhead connector
  - Double-ended bending-beam design
  - Compression-type cell
  - Nickel Plated
  - Unaffected by 100% transient side loads
- INCREASE YOUR PROFIT BY MAXIMIZING EVERY LOAD**

## Applications:

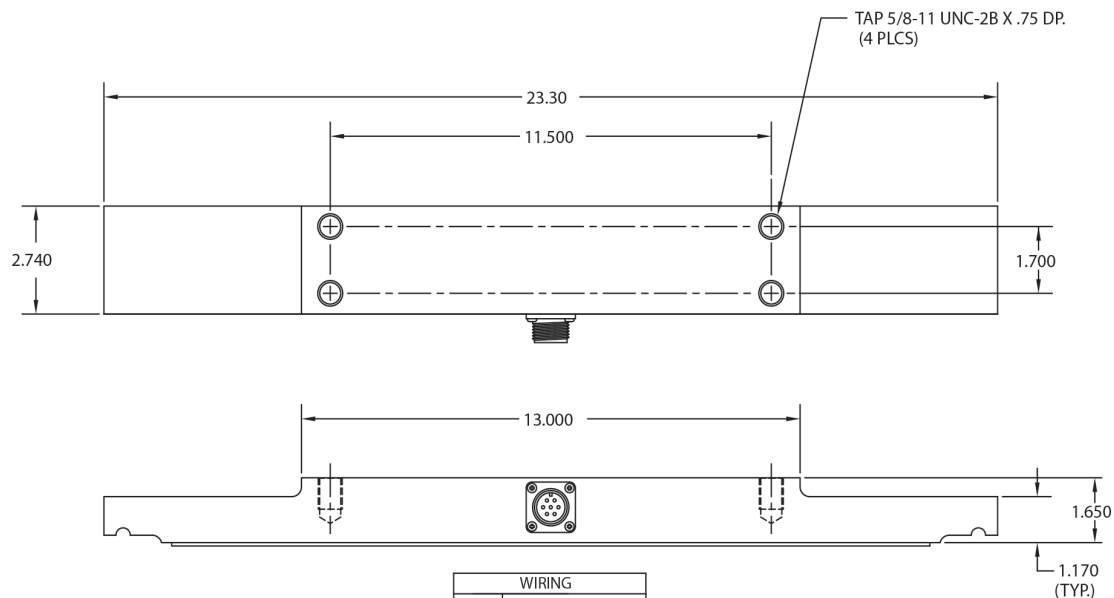
- Industrial axle scales
- Lodec L3000 series Systems

5920 South 194th Street | Kent, WA 98032 | USA  
Sales Support: 800-638-5111 | Technical Support: 626-202-5047  
E-mail: [Obw.usa@vpgsensors.com](mailto:Obw.usa@vpgsensors.com)

[sionboard.com](http://sionboard.com)



# 23.5" Low Profile Axle Scale 8300530-10R



| WIRING |              |
|--------|--------------|
| A      | +SIG (WHITE) |
| B      | N/A          |
| C      | -EX (BLACK)  |
| D      | +EX (RED)    |
| E      | N/A          |
| F      | -SIG (GREEN) |
| G      | N/A          |

## Specifications

| PARAMETERS                              | VALUE                          |
|---|--------------------------------|
| Static Capacity                         | 30,000 lbs (13,600 kg)         |
| Dynamic Capacity                        | 15,000 lbs (6,804 kg)          |
| Maximum Safe Load                       | 200% of Static Capacity        |
| Output                                  | 0.500mV/V at 12,500 lbs        |
| Non-linearity, Hysteresis Repeatability | ± 0.1% of full scale           |
| Creep                                   | ± 0.1% of load in 20 minutes   |
| Temperature Compensated Range           | 14° to 104°F (-10° to 40°C)    |
| Temperature Operating Range             | -40°F to 150°F (-40°C to 65°C) |
| Maximum Excitation                      | 15V dc or ac                   |
| Impedance                               | 350Ω min.                      |
| Isolation Resistance                    | 500MΩ at 50V                   |
| Load Cell Material                      | Alloy steel, nickel-plated     |
| Weight                                  | 27lbs (12.2kg)                 |

**DISCLAIMER:** ALL PRODUCTS, PRODUCT SPECIFICATIONS AND DATA ARE SUBJECT TO CHANGE WITHOUT NOTICE. Vishay Precision Group, Inc., its affiliates, agents, and employees, and all persons acting on its or their behalf (collectively, "VPG"), disclaim any and all liability for any errors, inaccuracies or incompleteness contained herein or in any other disclosure relating to any product. The product specifications do not expand or otherwise modify VPG's terms and conditions of purchase, including but not limited to, the warranty expressed therein. VPG makes no warranty, representation or guarantee other than as set forth in the terms and conditions of purchase. **To the maximum extent permitted by applicable law, VPG disclaims (i) any and all liability arising out of the application or use of any product, (ii) any and all liability, including without limitation special, consequential or incidental damages, and (iii) any and all implied warranties, including warranties of fitness for particular purpose, non-infringement and merchantability.** Information provided in datasheets and/or specifications may vary from actual results in different applications and performance may vary over time. Statements regarding the suitability of products for certain types of applications are based on VPG's knowledge of typical requirements that are often placed on VPG products. It is the customer's responsibility to validate that a particular product with the properties described in the product specification is suitable for use in a particular application. You should ensure you have the current version of the relevant information by contacting VPG prior to performing installation or use of the product, such as on our website at [vpgsensors.com](http://vpgsensors.com). No license, express, implied, or otherwise, to any intellectual property rights is granted by this document, or by any conduct of VPG. The products shown herein are not designed for use in life-saving or life-sustaining applications unless otherwise expressly indicated. Customers using or selling VPG products not expressly indicated for use in such applications do so entirely at their own risk and agree to fully indemnify VPG for any damages arising or resulting from such use or sale. Please contact authorized VPG personnel to obtain written terms and conditions regarding products designed for such applications. Product names and markings noted herein may be trademarks of their respective owners.