

On-Board Weighing Systems for Roll-Off and Hook Lift Trucks



vulcanscales.com





Vulcan On-Board Scales is the leading manufacturer of on-board scales.

Our on-board scales systems for roll-off trucks use proven accurate technology to give you the precision and reliability you expect. The systems integrate seamlessly with most roll-off vehicles and can be installed in the field within hours.

Increase Profits - Eliminate Overweight Fines

Improve efficiency of your operation. Maximize payload weight and avoid costly fines. Our on-board scales make it possible to load to your truck to the maximum legal limit every time.

Monitor Payload and Gross Weight

Determine the most economical materials disposal location between landfills and transfer stations that charge by weight or by container.

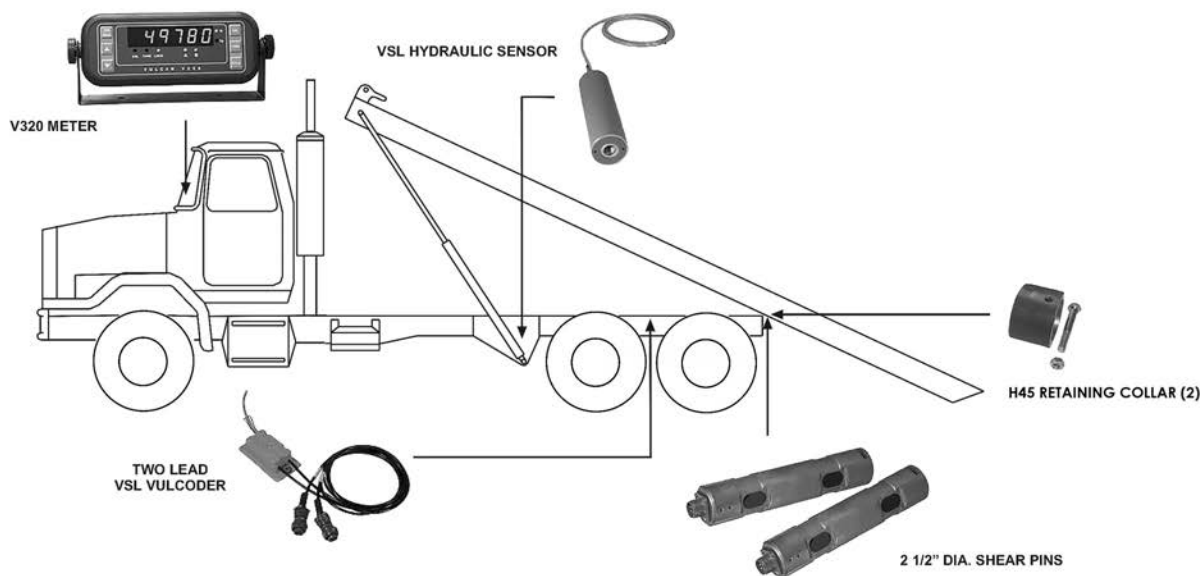
Leave a Receipt

Verify pick-up weights while at customer locations and check weights against landfill platform scales. Our easy-to-operate electronics displays the total weight in the truck cab to the driver as the container is hoisted. When using the printer option, you can leave a ticket with the customer showing the weight picked up and retain a copy for your company records. Printer option requires upgrade to V600 or SI 9150 meter to operate.



R-313 Roll-Off Scale System without Rear Hinge Mounting Kit

2 1/2" Diameter x 11" Length Rear Hinge Pins



Installation Location

Front hoist sensor and weight sensing shear pins. Weight sensing shear pins replace the manufacturer's existing shear pins in the rear.

Installation Documentation

44-10106-001

Description

Modular rear hinge mounting kits are provided where the existing rear hinge assembly cannot be used. A hydraulic pressure sensor obtains weight by measuring hoist cylinder pressure. Our durable Vulcan shear pin load cells measure weight at the rear hinge assembly. Optional retaining collars allow adapting to different roll-off configurations. Easy to operate Vulcan electronics provide total weight of the container and its contents to the driver in the cab.

System Includes

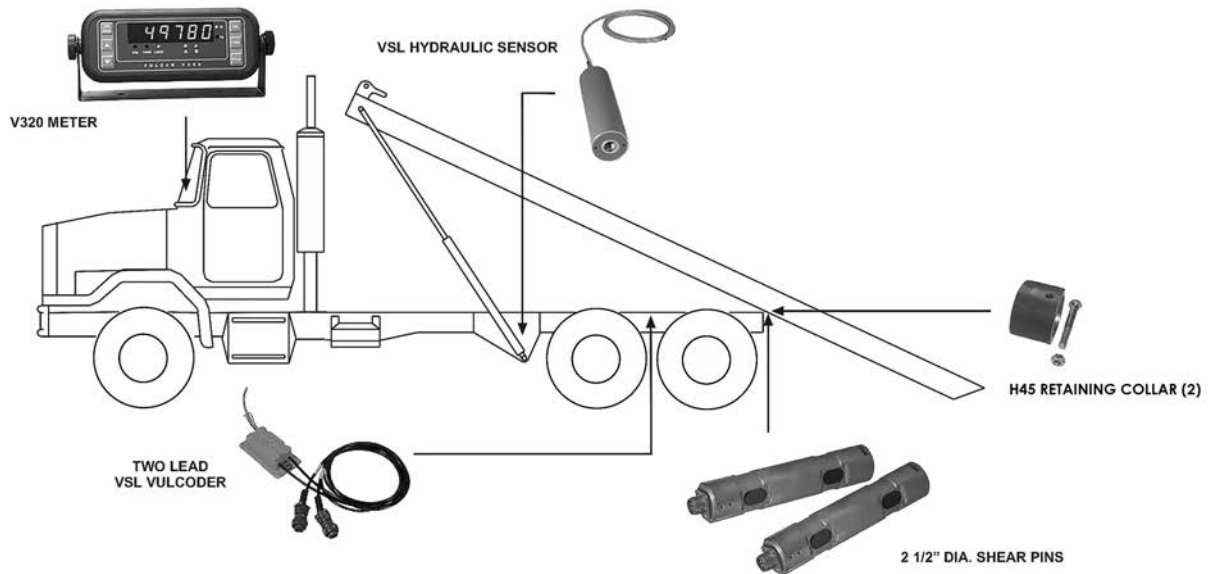
- 1 ea. M32 V320 Meter
- 1 ea. V23 VSL Vulcoder - 2 lead (5 ft.)
- 1 ea. C01 Cable, 40 ft. Orange Cable
- 2 ea. L43 2 1/2" Diameter, 11" Shear Pins
- 1 ea. L41 VSL Hydraulic Sensor
- 2 ea. H45 Retaining Collars / Fasteners
- 1 ea. 59-30036-001 Weigh Point Indicator Kit



Galbreath Above Frame

R-313AF Roll-Off AF Scale System without Rear Hinge Mounting Kit

2 1/2" Diameter x 13 5/8" Length Rear Hinge Pins



Installation Location

Front hoist sensor and weight sensing shear pins. Weight sensing shear pins replace the manufacturer's existing shear pins in the rear.

Installation Documentation

44-10106-001

Description

Modular rear hinge mounting kits are provided where the existing rear hinge assembly cannot be used. A hydraulic pressure sensor obtains weight by measuring hoist cylinder pressure. Our durable Vulcan shear pin load cells measure weight at the rear hinge assembly. Optional retaining collars allow adapting to different roll-off configurations. Easy to operate Vulcan electronics provide total weight of the container and its contents

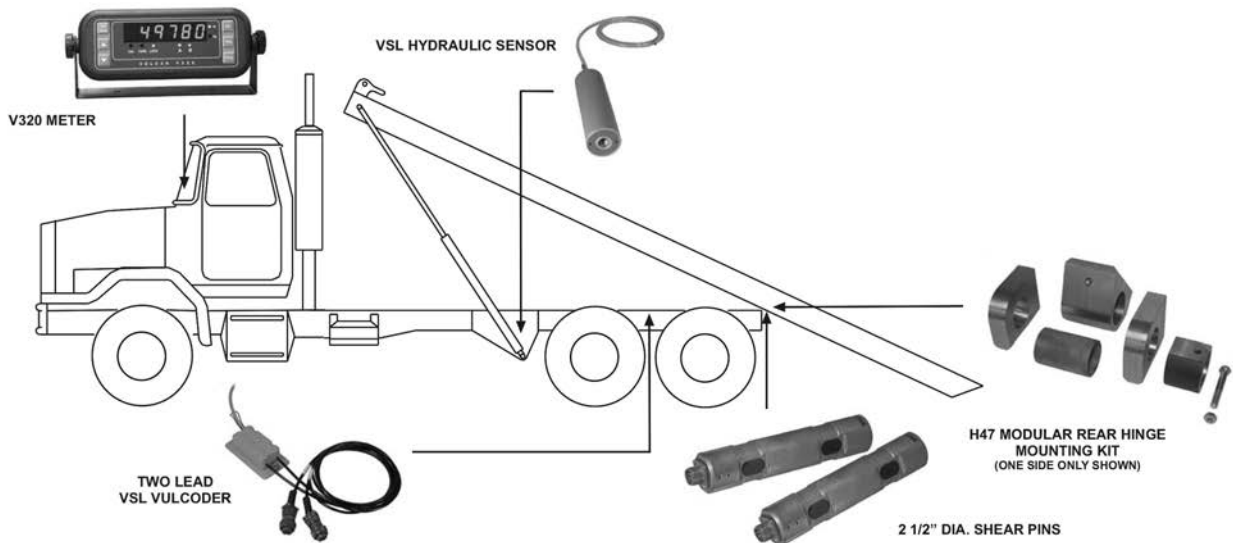
System Includes

- 1 ea. M32 V320 Meter
- 1 ea. V23 VSL Vulcoder - 2 lead (5 ft.)
- 1 ea. C01 Cable, 40 ft. Orange Cable
- 2 ea. 58-10608-032 2 1/2" Diameter, 13 5/8" Shear Pins
- 1 ea. L41 VSL Hydraulic Sensor
- 2 ea. H45 Retaining Collars / Fasteners
- 1 ea. 59-30036-001 Weigh Point Indicator Kit



R-323 Roll-Off Scale System with Rear Hinge Mounting Kit

2 1/2 Diameter x 11" Length Rear Low Hinge Pins



Installation Location

Front hoist sensor and weight sensing shear pins. Weight sensing shear pins replace the manufacturer's existing shear pins in the rear.

Installation Documentation

44-10106-001

Description

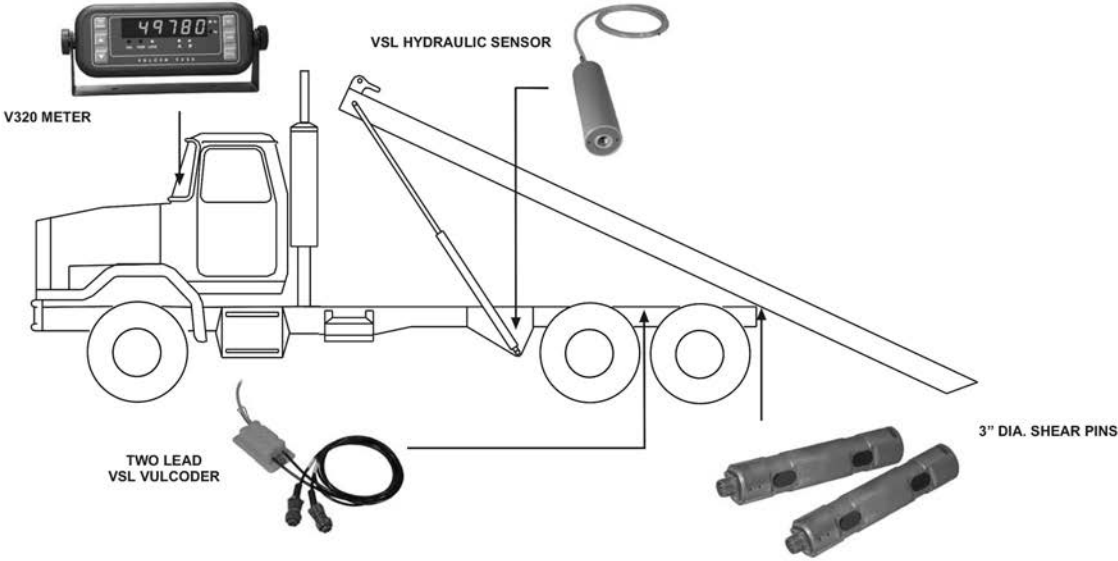
Modular rear hinge mounting kits are provided where the existing rear hinge assembly cannot be used. A hydraulic pressure sensor obtains weight by measuring hoist cylinder pressure. Our durable Vulcan shear pin load cells measure weight at the rear hinge assembly. Optional retaining collars allow adapting to different roll-off configurations. Easy to operate Vulcan electronics provide total weight of the container and its contents to the driver in the cab.

System Includes

- 1 ea. M32 V320 Meter
- 1 ea. V23 VSL Vulcoder - 2 Lead (5 ft.)
- 1 ea. C01 Cable, 40 ft. Orange Cable
- 2 ea. L43 2 1/2" Diameter, 11" Shear Pins
- 1 ea. L41 VSL Hydraulic Sensor
- 1 ea. H47 2/12" Diameter, Modular Rear Hinge Mounting Kit
- 1 ea. 59-30036-001 Weigh Point Indicator Kit

R-343 Roll-Off Scale System without Rear Hinge Mounting Kit

3" Diameter x 11" Length Rear Hinge Pins



Installation Location

Front hoist sensor and weight sensing shear pins. Weight sensing shear pins replace the manufacturer’s existing shear pins in the rear.

Installation Documentation

44-10106-001

System Includes

- 1 ea. M32 V320 Meter
- 1 ea. V23 VSL Vulcorder - 2 Lead (5 ft.)
- 1 ea. C01 Cable, 40 ft. Orange Cable
- 1 ea. L41 VSL Hydraulic Sensor
- 2 ea. L53 3" Diameter, 11" Shear Pins
- 1 ea. 59-30036-001 Weigh Point Indicator Kit

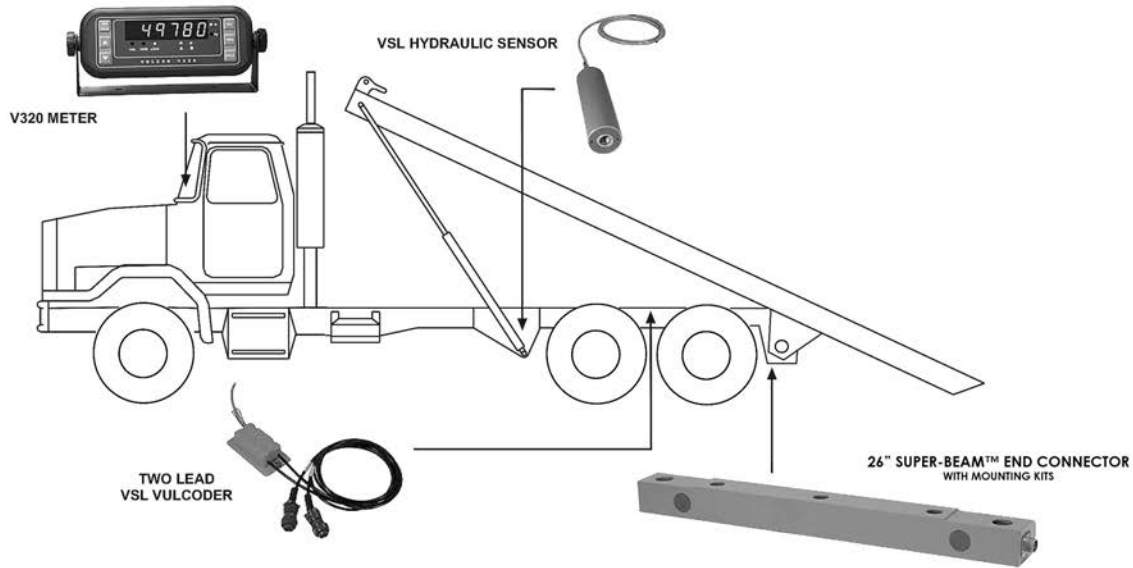
Description

Modular rear hinge mounting kits are provided where the existing rear hinge assembly cannot be used. A hydraulic pressure sensor obtains weight by measuring hoist cylinder pressure. Our durable Vulcan shear pin load cells measure weight at the rear hinge assembly. Easy to operate Vulcan electronics provide total weight of the container and its contents to the driver in the cab.



R-353 Roll-Off Scale System

26" Load Cells



Installation Location

Front hoist sensor and weight sensing load cells. Weight sensing load cells replace the manufacturer's existing stanchions in the rear.

Installation Documentation

44-10106-001

Description

A hydraulic pressure sensor obtains weight by measuring hoist cylinder pressure. The system includes our durable Vulcan super beam load cells that measure weight at the rear hinge assembly. Easy to operate Vulcan electronics provide total weight of the container and its contents to the driver in the cab.

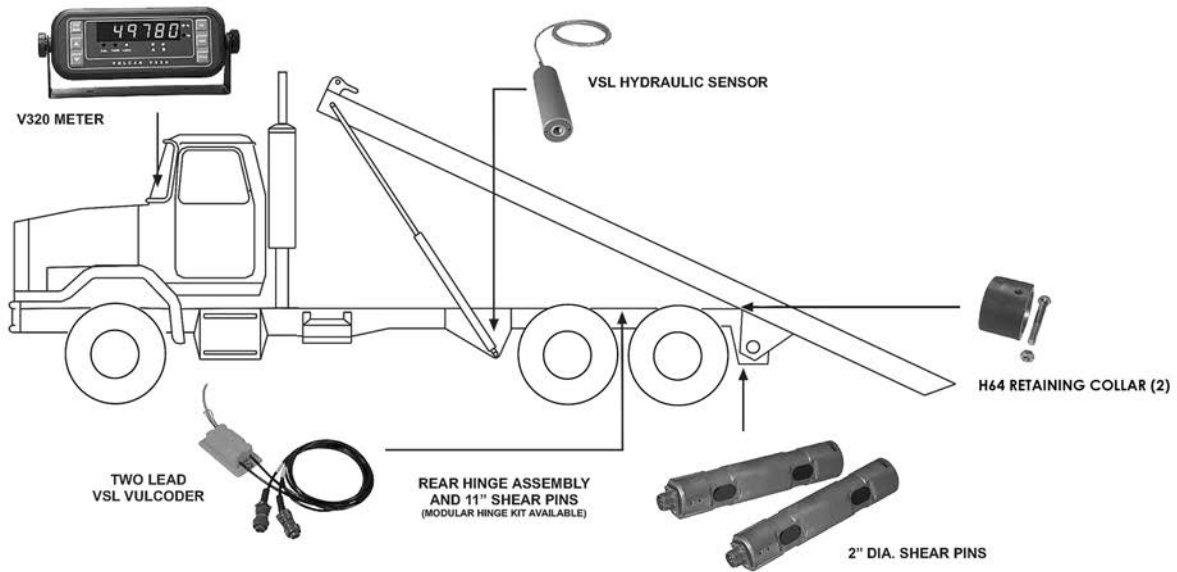
System Includes

- 1 ea. M32 V320 Meter
- 1 ea. V23 VSL Vulcoder - 2 Lead (5 ft.)
- 1 ea. C01 Cable, 40 ft. Orange Cable
- 1 ea. L41 VSL Hydraulic Sensor
- 2 ea. L74 26" Super Beam
- 2 ea. H13 26" Super Beam Mounting Kit
- 1 ea. 59-30036-001 Weigh Point Indicator Kit

Palfinger American Roll-Off®

R-363 Scale System

2" Diameter x 11.5" Length Rear Hinge Pins



Installation Location

Front hoist sensor and weight sensing shear pins. Weight sensing shear pins replace the manufacturer's existing shear pins in the rear.

Installation Documentation

44-10106-001

Description

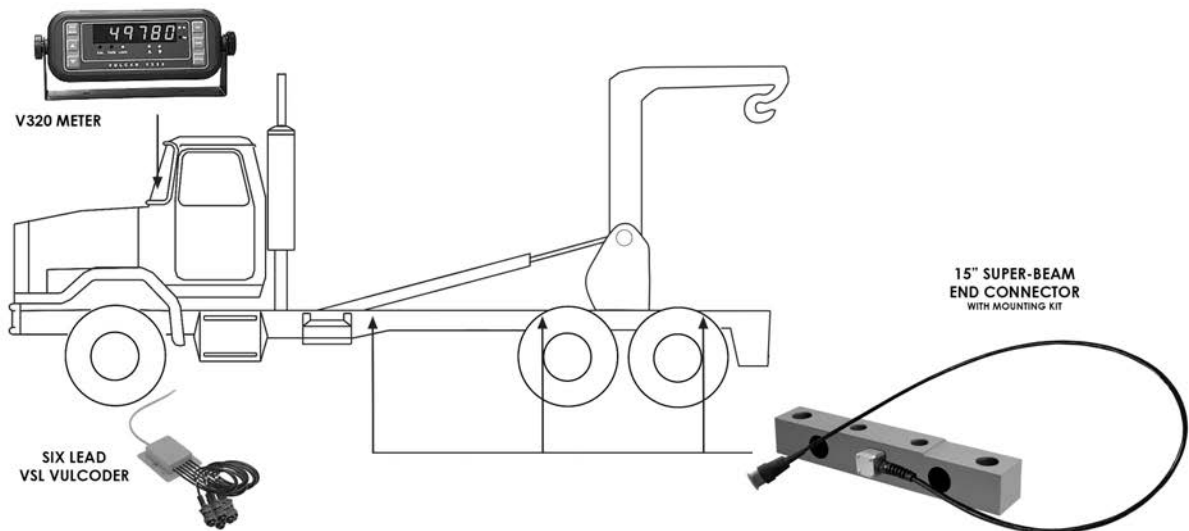
Modular rear hinge mounting kits are provided where the existing rear hinge assembly cannot be used. A hydraulic pressure sensor obtains weight by measuring hoist cylinder pressure. Our durable Vulcan shear pin load cells measure weight at the rear hinge assembly. Optional retaining collars allow adapting to different roll-off configurations. Easy to operate Vulcan electronics provide total weight of the container and its contents to the driver in the cab.

System Includes

- 1 ea. M32 V320 Meter
- 1 ea. V23 VSL Vulcoder - 2 Lead
- 1 ea. C01 Cable, 40 ft. Orange Cable
- 2 ea. L25 2" Diameter, 11 1/2" Shear Pins
- 1 ea. L41 VSL Hydraulic Sensor
- 2 ea. H64 Retaining Collars / Fasteners
- 2 ea. 52-30152-001 Composite Bushings
- 1 ea. 59-30036-001 Weigh Point Indicator Kit



R-703 Hook Lift Scale System



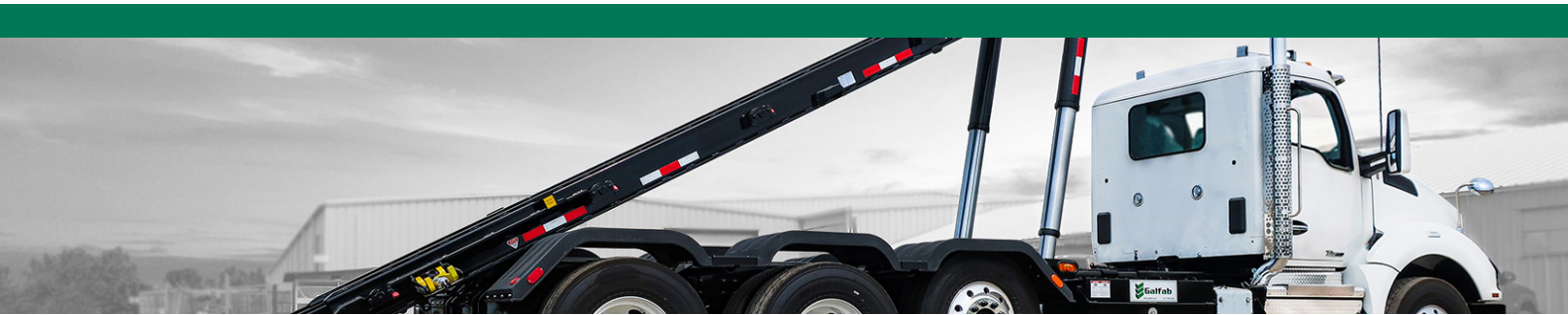
Installation Location

Three load cells per side replace the stanchions.

System Includes

- 1 ea. M32 V320 Meter
- 1 ea. V25 VSL Vulcoder - 6 lead
- 6 ea L66 15" Super-Beam Side Connectors w 90 Pigtail
- 3 ea. H03 15" Super-Beam Mount Kit Monoblock





Contact

800-237-0022

vulcan-scales.sales@vpgsensors.com

vulcanscales.com

DISCLAIMER: The document and the products described herein are subject to change from time to time without notice and are also subject to specific disclaimers. Please visit <https://vpgsensors.com/disclaimer> for more information