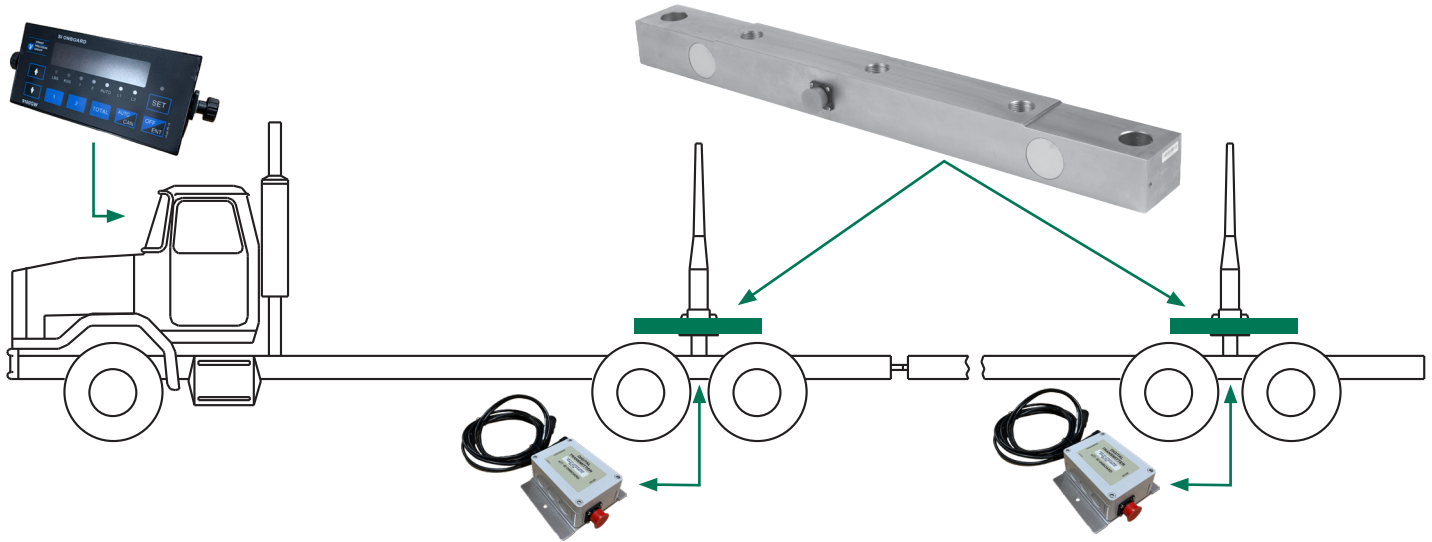


Titan II Heavy Duty Long Logger Scale System

Canada



9102310-01 Titan II Heavy Duty Logging System

The SI On-Board Heavy Duty (Canada) Long Logger system uses proven technology to give you the reliability and accuracy you expect. SI On-board's 28" Titan II load Cells are the established and proven standard for excellence in the logging industry.

Includes:

8 ea	2800148	Washer Flat GD 8, 1 1/4 ID
8 ea	2800970	Cap Screw 1 1/4 --12 UNF
8 ea	6300040	Cable 40' reach 3-SKT PL
1 ea	7100173-01	Cable 40' reach 3-SKT PL
1 ea	8100152-20	Cable power 23, 2 leads
2 ea	8100187-05QC	Transmitter 12V, 2 leads
1 ea	8100194-55	Cable Berg to Transmitter
1 ea	8100198-45	Cable Meter to Berg Recp
2 ea	8301900-10R	Load Cell 28" Titan II
1 ea	8500570-10	9100GW Meter

5920 South 194th Street | Kent, WA 98032 | USA
Canada Sales and Technical Support: 800-663-0854
E-mail: sionboard@vpgsensors.com

sionboard.com

