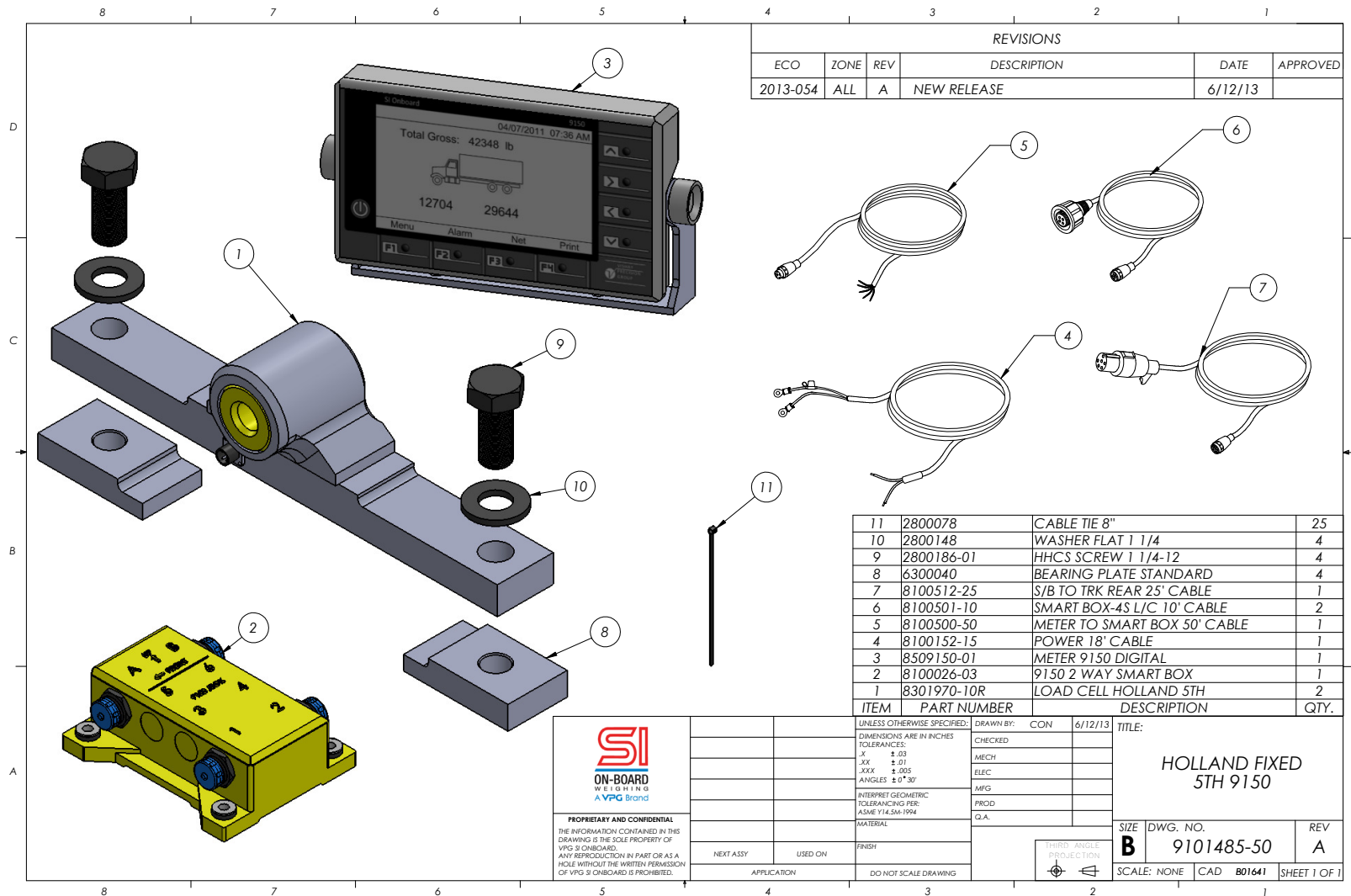


9150 Holland Fixed 5th Wheel System- 9101485-50



REVISIONS					
ECO	ZONE	REV	DESCRIPTION	DATE	APPROVED
2013-054	ALL	A	NEW RELEASE	6/12/13	

ITEM	PART NUMBER	DESCRIPTION	QTY.
11	2800078	CABLE TIE 8"	25
10	2800148	WASHER FLAT 1 1/4	4
9	2800186-01	HHCS SCREW 1 1/4-12	4
8	6300040	BEARING PLATE STANDARD	4
7	8100512-25	S/B TO TRK REAR 25' CABLE	1
6	8100501-10	SMART BOX-4S L/C 10' CABLE	2
5	8100500-50	METER TO SMART BOX 50' CABLE	1
4	8100152-15	POWER 18' CABLE	1
3	8509150-01	METER 9150 DIGITAL	1
2	8100026-03	9150 2 WAY SMART BOX	1
1	8301970-10R	LOAD CELL HOLLAND 5TH	2

SI
ON-BOARD
WEIGHING
A VPG Brand

PROPRIETARY AND CONFIDENTIAL
THE INFORMATION CONTAINED IN THIS DRAWING IS THE SOLE PROPERTY OF VPG'S ONBOARD. ANY REPRODUCTION IN PART OR AS A WHOLE WITHOUT THE WRITTEN PERMISSION OF VPG'S ONBOARD IS PROHIBITED.

UNLESS OTHERWISE SPECIFIED:	DRAWN BY: CON	6/12/13	TITLE:
DIMENSIONS ARE IN INCHES	CHECKED:		HOLLAND FIXED 5TH 9150
TOLERANCES:	MECH		
.X ±.03	ELEC		
.XX ±.01	MFG		
.XXX ±.005	PROD		
ANGLES ±.5°	Q.A.		
INTERPRET GEOMETRIC TOLERANCING PER: ASME Y14.5M-1994			
MATERIAL:			
FINISH:			
DO NOT SCALE DRAWING			

SIZE **B** DWG. NO. **9101485-50** REV **A**

SCALE: NONE CAD **B01641** SHEET 1 OF 1

5920 South 194th Street | Kent, WA 98032 | USA
 Sales Support: 800-638-5111 | Technical Support: 626-202-5047
 E-mail: Obw.usa@vpgsensors.com

sionboard.com

