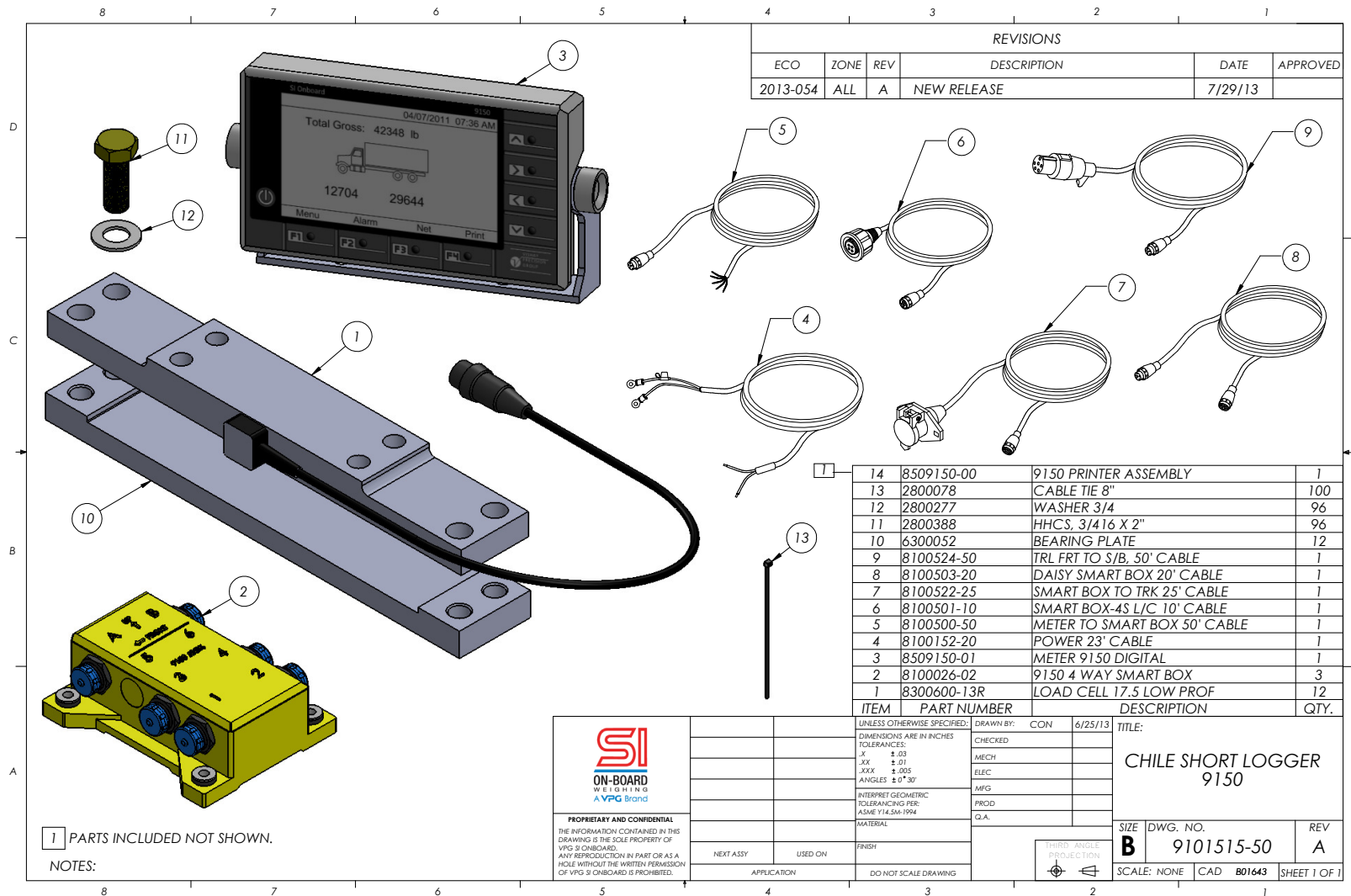


9150 Chile Short Logger System- 9101515-30



5920 South 194th Street | Kent, WA 98032 | USA
 Sales Support: 800-638-5111 | Technical Support: 626-202-5047
 E-mail: Obw.usa@vpgsensors.com

sionboard.com

